



Shenzhen Deck Yard Lighting Co., Ltd.

Important: Read all instructions prior to installation.

LED Low Voltage Landscape Light

LED Low Voltage Landscape Light Installation Manual

1. Assemble as shown in Fig. 3.
2. Loosen ground with a shovel and/or soften soil with water, then press fixture into ground. Do not use a hammer or exert excessive force on lamp head of fixture while installing. Attach fixture to power cable (see recommended accessories). (Fig. 2)

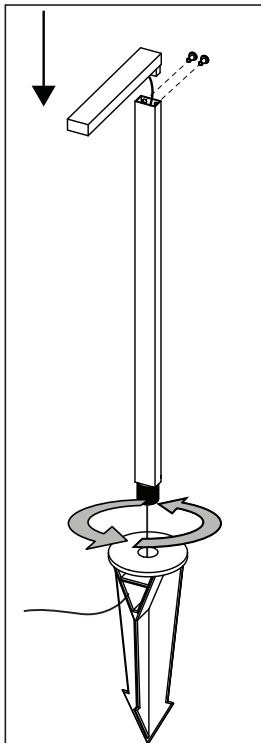
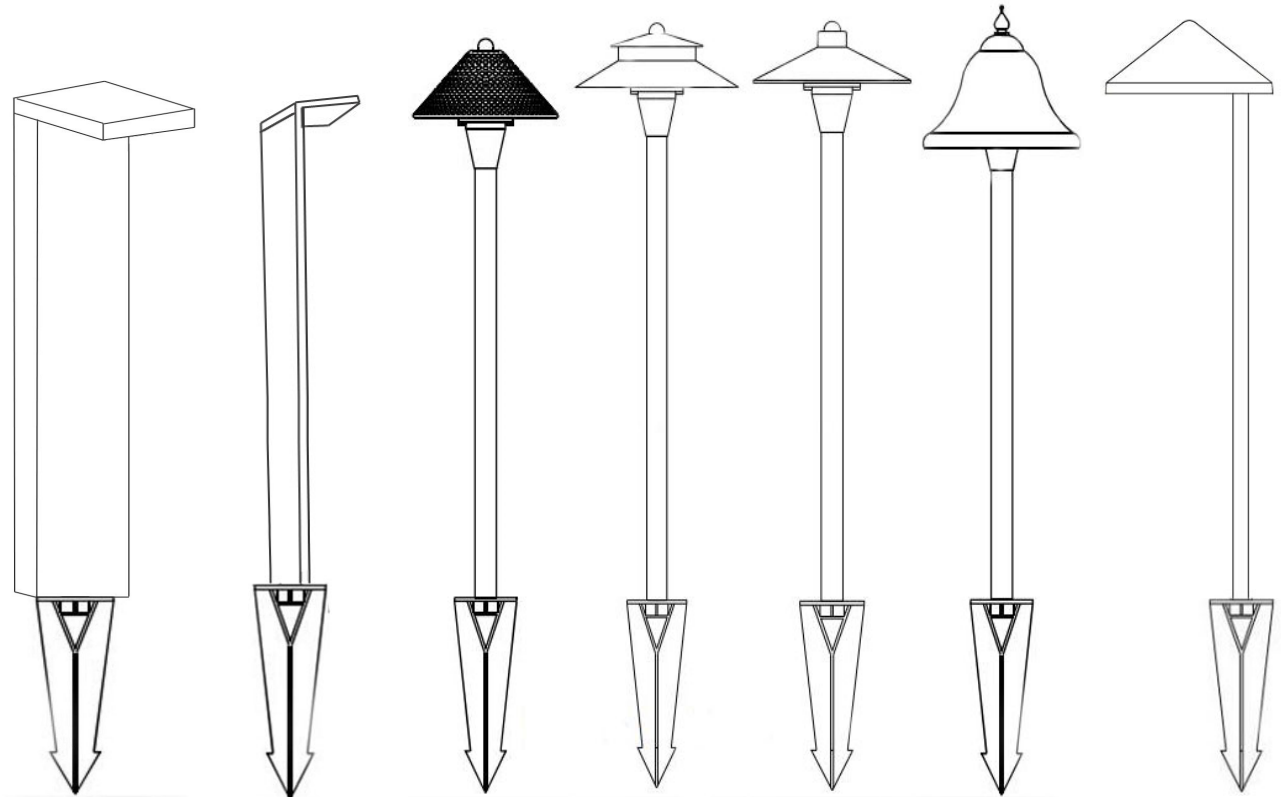


Fig. 3



Important: Read all instructions prior to installation.

LED Low Voltage Landscape Light

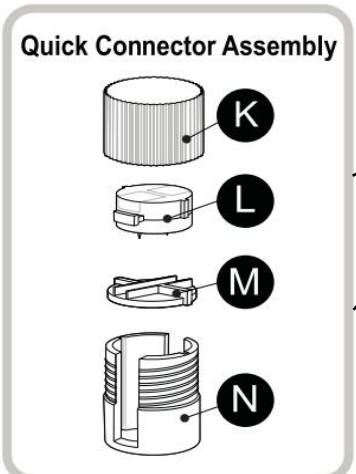
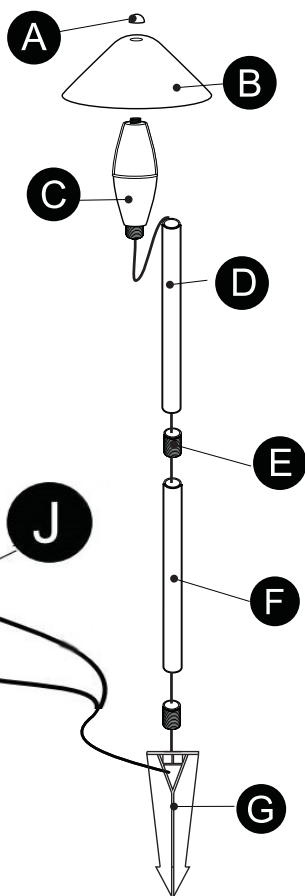
Safety and Notes

- Read all of these instructions thoroughly before use. Keep this instruction manual in a safe place for future reference.
- This light fixture is only suitable for a 12~15 Volt AC or DC power supply.
- Use main cable of :SPT-2W 14AWG,16 AWG

Preparation Instructions

Before beginning assembly of product, make sure all parts are present.

Part	Description	Quantity
A	Cap Nut	1
B	Lamp Shade	1
C	Lamp Head	1
D	Downrod A	1
E	Downrod Connector	2
F	Downrod B	1
G	Ground Stake	1
J	Quick Connector	Not included



Installation Instructions

1. Fixture can be set to multiple heights using downrods. Select height desired and assemble as shown in (Fig. 1).

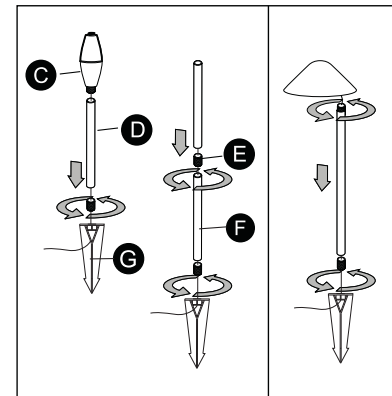


Fig. 1

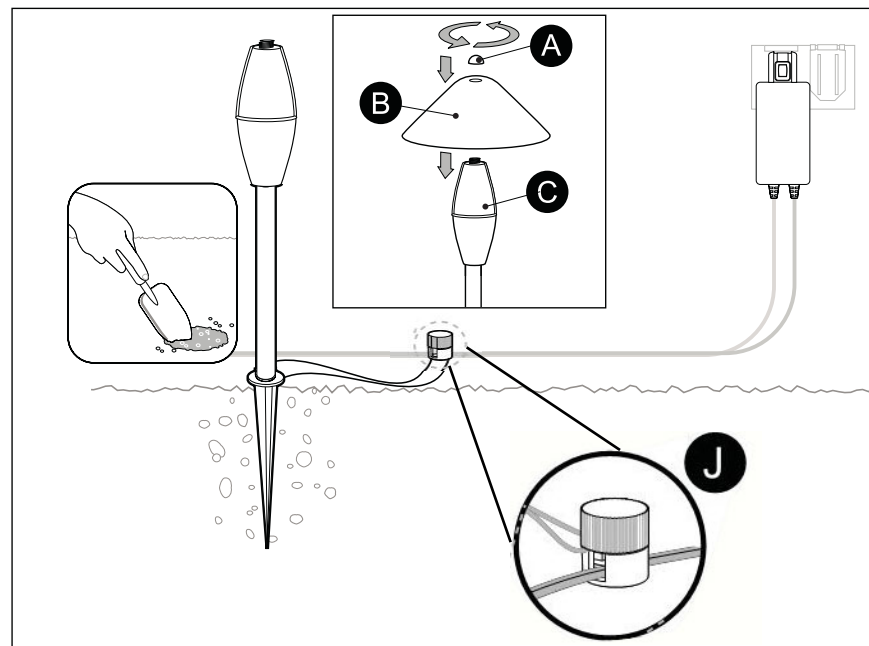


Fig. 2

2. Loosen ground with a shovel and/or soften soil with water, then press fixture into ground. Do not use a hammer or exert excessive force on lamp head of fixture while installing. Attach fixture to power cable with Quick Connector Assembly(J) as shown. (see recommended accessories). (Fig. 2)
3. Unscrew cap nut from lamp head. Install lamp shade, then reinstall cap nut, do not over tighten. (Fig. 2)