



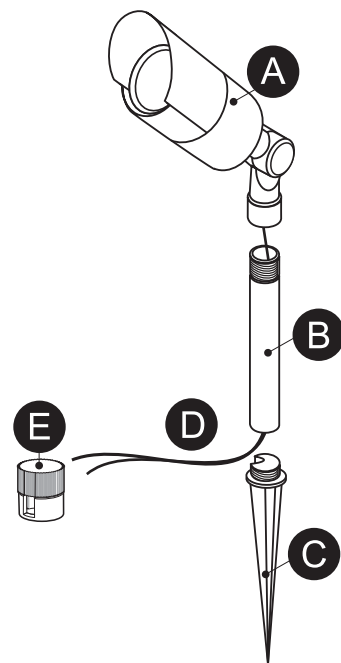
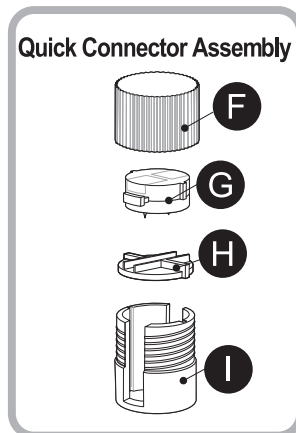
Shenzhen Deck Yard Lighting Co., Ltd.

Important: Read all instructions prior to installation.

LED Low Voltage Landscape Light Installation Manual

PACKAGE CONTENTS

Part	Description	Quantity
A	Lamp Head	1
B	5 in. Downrod and Connector	1
C	Ground Stake	1
D	Branch Cable	1
E	Quick Connector Assembly	Not Included
F	Cap	
G	Block	
H	Tray	
I	Base	



⚠️ WARNINGS AND CAUTIONS

⚠️ WARNING:

- Read all of these instructions thoroughly before use. Keep this instruction manual in a safe place for future reference.
- Risk of fire or electrical shock.
- Do not install or connect wires with wet hands.
- Do not install this product within 10 feet (3 meters) from a pool, spa, fountain, or other body of water.
- The branch cable is intended for shallow burial—maximum depth must not exceed 3 inches (7.5 cm).
- For low voltage landscape lighting systems only.
- Do not step on or drive over the branch cable or power cable.

⚠️ CAUTION:

- This lighting fixture is only suitable for a 12–15v power supply.
- This LED lamp is a highly efficient, extremely low wattage, energy saving product. However, it is not recommended to use a transformer over 100w.
- Use shielded cable for outdoor use in the following sizes: SPT-2W 18G, SPT-2W 16G, SPT-2W 14G, SPT-2W 12G
- Do not submerge in water.
- Do not repair or modify this product.

PREPARATION

Before beginning assembly of product, make sure all parts are present. Compare parts with package contents list and diagram on the page. If any part is missing or damaged, do not attempt to assemble the product. Contact customer service for replacement parts.

Estimated Assembly time: 10 minutes

No Tools Required

ASSEMBLY INSTRUCTIONS

Fixture Assembly

1. The fixture can be used with or without the 5 in. downrod (B). Assemble parts as shown. Do not over tighten (Fig. 1).

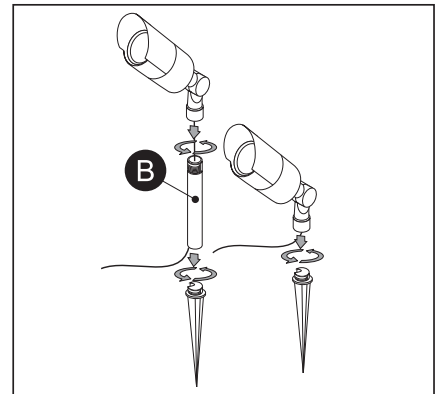


Fig. 1

2. To install, loosen the ground with a shovel and/or soften the soil with water, then press the fixture into the ground. Do not use a hammer. Do not exert excessive force on the lamp head (A) of the fixture while installing as this may cause the fixture to break. Attach the fixture to the power cable with the quick connector assembly (E) as shown below. To insure uniform brightness the first fixture should be a minimum of 10 wire feet (3 meters) from the transformer (Fig. 2).

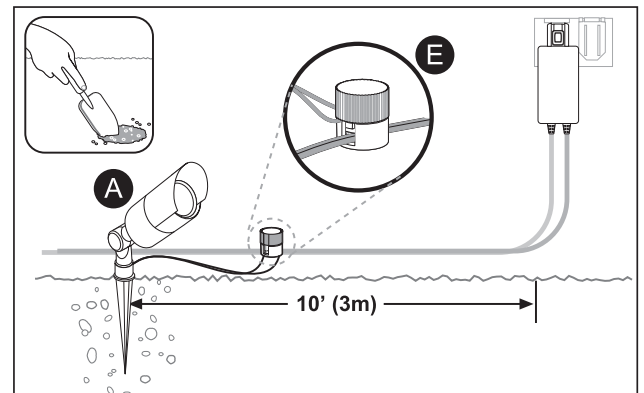


Fig. 2

Quick Connector

The Quick Connector is intended for use with SPT-2W 18G, SPT-2W 16G, SPT-2W 14G and SPT-2W 12G Outdoor Power Cables.

1. Push the side bars on the block (G) and insert the branch cables (D) as shown. Release the side bars to secure the branch cable (Fig. 3).

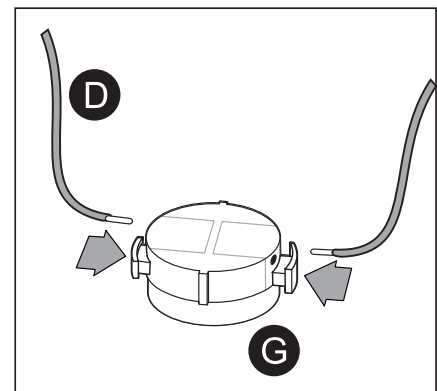


Fig. 3

ASSEMBLY INSTRUCTIONS CONTINUED

2. Four (4) power cable adapter trays (H) are included. Each tray is marked accordingly: 12 AWG, 14 AWG, 16 AWG and 18 AWG. Select the tray that matches the gauge of the power cable as shown (Fig. 4).

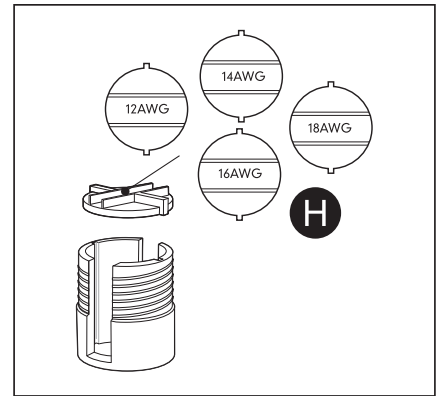


Fig. 4

3. Place the power cable on the tray (H). Align with the grooves in the base (I) and insert as shown (Fig. 5).

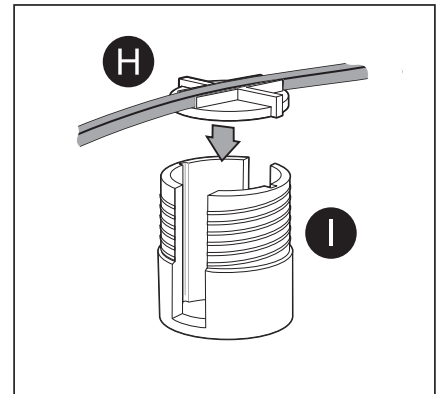


Fig. 5

4. Align the block (G) with branch cables (D) with the grooves in the base (I) and insert as shown (Fig.6).

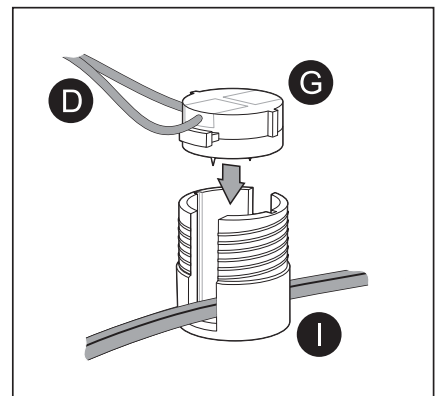


Fig. 6

5. Install and screw the cap (F) on to the base (I). Screw the cap until it is secure taking care not to over tighten (Fig. 7).

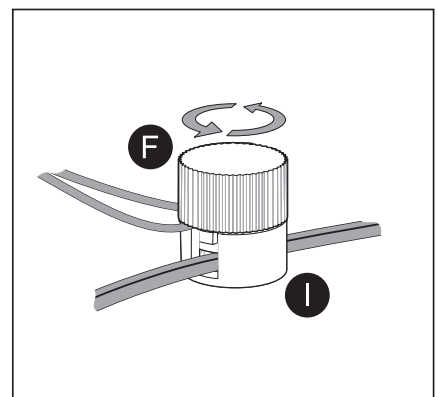


Fig. 7

CARE AND MAINTENANCE

- This fixture uses LED technology and does not require light bulbs.
- The LED and electronic components are permanently installed in a weatherproof housing and should not require maintenance.

TROUBLESHOOTING

Problem	Possible Cause	Corrective Action
LED light will not turn on	No power	Make sure that power is turned on
	Loose Branch Wire to Block	Make sure that both wires are in contact with the block
	Connector not making contact with Power cable	1. Make sure that cap is tight 2. If problem persists, repeat steps 2 to 5 on the quick connector instructions
	Transformer Photo Cell Sensor	Make sure that transformer photo cell sensor is not exposed to light
LED light flickers	Wattage of transformer may be exceeded	Check manufacturer specifications for maximum wattage

Rev.3